

SIDE LOADERS



“JDQ” - series

Jumbo

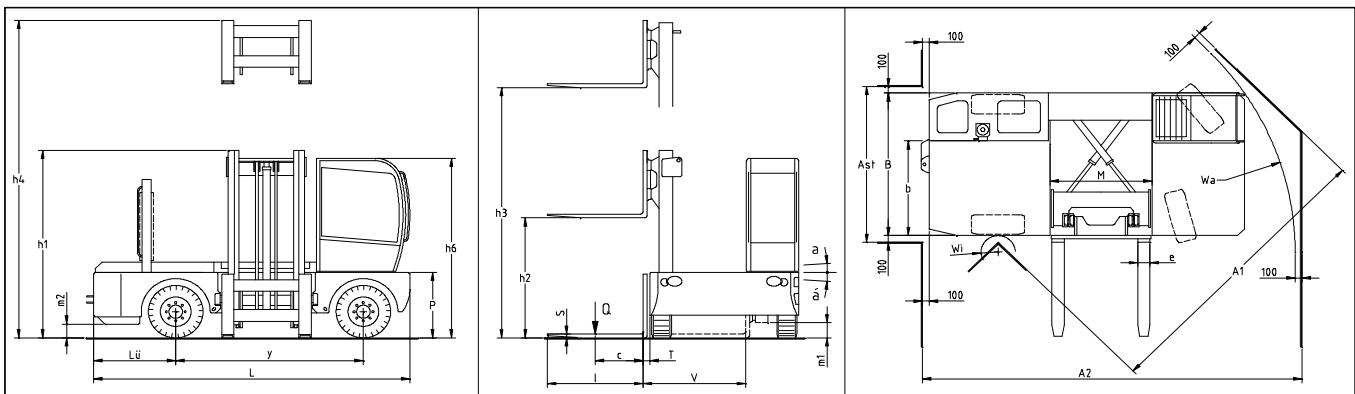
Manufactured by TERRA, Austria

Manufacturer specifications and Quality characteristics

		JUMBO					
Identification	1	Name of manufacturer					
	2	Model					
	3	Load capacity	Q without stabilisers	t			
	4	Load center	c	mm			
	5	Power supply					
	6	Type of control					
	7	Tyres	V-solid, L-pneumatic, front/rear	L / L			
	8	Wheels	(X=drive wheel)	2/2X			
Dimensions	9	Lift	h3 max. fork height	mm	4000	4000	
	10		h2 free lift	mm	kein	kein	
	11	Carriage	fork spread max/min	mm	1420/360	1420/360	
	12	Fork dimensions		mm	50/150/1400 (1200)	50/180/1400 (1200)	
	13	Tilt angle	down/up	Grad	3,5/3,5°(4/4°)	3,5/3,5°(4/4°)	
	14	Over all dimensions	L overall length	mm	4700	4700	
	15		B overall width	mm	2200 (2000)	2200 (2000)	
	16		h1 mast fully lowered	mm	2885	2885	
	17		h4 mast fully extended	mm	4970	4970	
	18		h6 overall height cabin	mm	2770	2770	
	19		b platform width	mm	1400 (1200)	1400 (1200)	
	20	Platform	M well width	mm	1500	1500	
	21		P platform height	mm	1030	1030	
	22	Mast reach	T fork face standout	mm	100	100	
	23		V traverse stroke	mm	1500 (1300)	1500 (1300)	
	24	Rear overhang	Lb	mm	1195	1195	
	25	Turning radius	outer/inner	mm	4490 (4370)/650	4490 (4370)/650	
	26		Ast	mm	2400 (2200)	2400 (2200)	
	27	Right angle stacking aisle	A1 right angle intersecting aisle	mm	4250 (4130)	4250 (4130)	
	28		A2 90° turning in the aisle	mm	5880 (5760)	5880 (5760)	
	Capacity	29		travel speed with/without load	km/h	20/22	20/22
		30		lifting speed with/without load	m/s	0,35/0,40	0,30/0,35
		31		lowering speed with/without load	m/s	0,5/0,30	0,45/0,30
		32		traverse speed	m/s	0,20	0,20
33		Drawbar pull		daN	2600	2600	
34		Gradeability	with/without load	%	22/35	20/32	
Weight	35	Truck weight	without load	kg	7850 (7690)	8450 (8290)	
	36	Laden weight	front	kg	5300 (5220)	6100 (6020)	
	37	Laden weight	rear	kg	6550 (6470)	7350 (7270)	
Chassis	38		front/rear	Stk.	2/2	2/2	
	39	Tyres	size		8,25-15	8,25-15 [300-15]	
	40		size		8,25-15	8,25-15 [300-15]	
	41	Wheelbase	y	mm	2750	2750	
	42	Track	front/rear	mm	1890/1930 (1690/1730)	1890/1930 (1690/1730)	
	43	Ground clearance	under mast	mm	230	230	
	44		at the lowest point	mm	200	200	
	45	Service brake				front hydraulic / rear hydrostatic	
46	Parking brake				electric-hydraulic		
Transmission	47	Battery	model		start battery		
	48		V/Ah	12/120	12/120		
	49		manufacturer/model***		Perkins 1104C-44	Perkins 1104C-44	
	50	Engine	maximum power (DIN 70020)	kW(HP)	61,5/83,5	61,5/83,5	
	51		at revolutions per min	1/min	2200	2200	
	52		no. of cylinders/displacement		4/4400	4/4400	
	53	Transmission				hydrostatic	
	54					infinitely variable	
	55	Standstability	EN 1726-1, EN 1551			yes	

Specifications are subject to change without notice.

Jul.2006



CVH MATERIAL HANDLING

Москва, Каширское шоссе, 23 км, ТРАНССЕРВИС
 TEL : 7 495 105 51 19
 Web : <http://www.skladskoe.net>
 E-mail : Info@skladskoe.net

Jumbo

Manufactured by TERRA, Austria